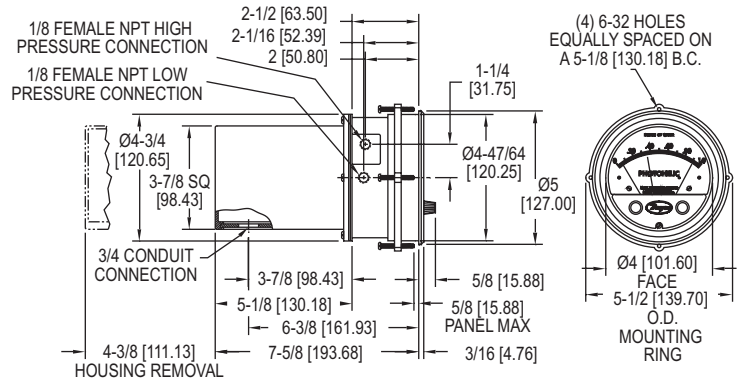


# PHOTOHELIC® PRESSURE SWITCH/GAGE

## 3-in-1 Indicating Gage, Lo-Limit and Hi-Limit Control



Set points are instantly adjusted with front knobs



The **Series A3000 Photohelic® Pressure Switch/Gage** functions as versatile, highly repeatable pressure switches combined with a precise pressure gage employing the time-proven Magnehelic® gage design. The Photohelic® switch/gage measures and controls positive, negative or differential pressures of air and compatible gases. Standard models are rated to 25 psig (1.7 bar) with options to 35 (2.4) or 80 (5.5 bar) psig. Two phototransistor actuated, DPDT relays are included for low/high limit control. Easy to adjust set point indicators are controlled by knobs located on the gage face. Individual set point deadband is one pointer width - less than 1% of full-scale. Set points can be interlocked to provide variable deadband - ideal for control of fans, dampers, etc. Gage reading is continuous and unaffected by switch operation, even during loss of electrical power. Choose from full-scale pressure ranges from a low 0-.25 in (0-6 mm) w.c. up to 30 psi (21 bar).

### FEATURES/BENEFITS

- 3-in-1 instrument allows the reduction of several instruments with one product, saving inventory, installation time and money
- Patented design and 1% full-scale dead band provides quick response to pressure changes means no delay in switching and chatter-free operation
- A wide range of models that can meet pressure measurement specifications from low to very high

### APPLICATIONS

- Air conditioning systems
- Clean rooms
- Fume exhaust systems

### SPECIFICATIONS

#### GAGE SPECIFICATIONS

- Service:** Air and non-combustible, compatible gases.
- Wetted Materials:** Consult factory.
- Accuracy:** ±2% of FS at 70°F (21.1°C). ±3% on -0 and ±4% on -00 models.
- Pressure Limits:** -20" Hg to 25 psig (-0.677 to 1.72 bar); MP option: 35 psig (2.41 bar); HP option: 80 psig (5.52 bar).
- Temperature Limits:** 20 to 120°F (-6.67 to 48.9°C). Low temperature option available.
- Process Connections:** 1/8" female NPT.
- Size:** 4" (101.6 mm) dial face, 5" (127 mm) OD x 8-1/4" (209.55 mm).
- Weight:** 4 lb (1.81 kg).

#### SWITCH SPECIFICATIONS

- Switch Type:** Each set point has 2 form C relays (DPDT).
- Repeatability:** ±1% of FS.
- Electrical Rating:** 10 A @ 28 VDC, 10 A @ 120, 240 VAC.
- Electrical Connections:** Screw terminals. Use 167°F (75°C) copper conductors only.
- Power Requirements:** 120 VAC, 50/60 Hz; 240 VAC and 24 VAC power optional.
- Mounting Orientation:** Diaphragm in vertical position. Consult factory for other position orientations.
- Set Point Adjustment:** Adjustable knobs on face.
- Agency Approvals:** CE, CSA, UL.